

# B300SND Signalling Horn

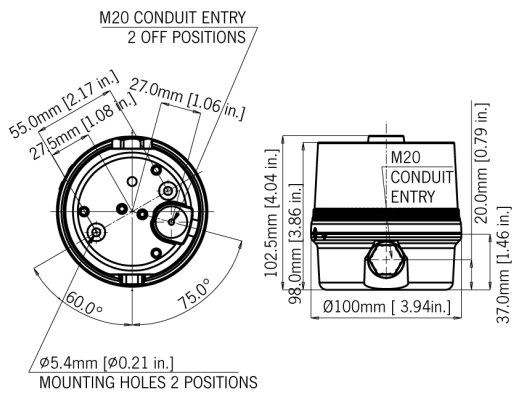
The B300SND is a compact signalling horn suitable for mounting on machinery or in general signalling applications. The B300SND reproduces the alert sound of traditional electro-mechanical equivalents but without any of the reliability issues.

In addition to the 'buzzer' type sound the unit features a further two alarm sounds. The B300SND is a component of the Spectra range and can be configured with the B350 or B450 traffic light beacons for complete audio-visual signalling.

## Features

- Bayonet fixing body.
- Anti-tamper locking screw.
- Stainless steel fixings.
- Compatible with B350 and B450 traffic light series





## Specification

No. of tones:	3	
Output:	98 dB(A) @ 1m [89dB(A) @ 10ft/3m]	
Mounting:	Surface mount (wall bracket available)	
Entries:	1 x 5-7mm push through grommet 1 x M20 cable entry	
Dimensions:	ø100 x 103mm	
Ingress protection:	IP65	
Housing material:	High impact UL94 V0 (f1) PC	
Terminals:	0.5 to 1.5mm <sup>2</sup>	
Operating temp:	-25 to +50° C [-13° to +122° F]   Storage temp:	-40 to +70° C [-40° to +158° F]
Relative humidity:	90% at 20° C [68° F]	
*SPL data +/-3dB(A). Measured at optimum voltage.		

## Part Codes

<b>Version:</b>	<b>Part code:</b>
12-30V ac/dc	B300SND030G
40-260V ac/dc	B300SND230G
<b>Mounting brackets:</b>	<b>Description:</b>
MB-B350T-S	Mounting bracket kit for a single B300SND/ B350 type unit.
MB-B350T-M	Mounting bracket kit for linked multiple B300SND/ B350 units.

## Current Consumption

Version:	Voltage:	Current:
12-30V dc/ac	12V dc	10mA
12-30V dc/ac	24V dc	24mA
40-260V dc/ac	48V dc	15mA
12-30V dc/ac	12V ac 50/60Hz	30mA
12-30V dc/ac	24V ac 50Hz	62mA
40-260V dc/ac	48V ac 50/60Hz	25mA
40-260V dc/ac	115V dc	6mA
40-260V dc/ac	230V dc	3mA
40-260V dc/ac	115V ac 50/60Hz	19mA
40-260V dc/ac	230V ac 50/60Hz	10mA

## Tone table

S 1	Description
T 1	800/1000Hz @ 7Hz Sweeping
T 2	Simulated buzzer sound
T 3	1200/500Hz @ 1Hz - DIN / PFEER P.T.A.P.

## ETA Process Instrumentation

[www.etapii.com](http://www.etapii.com)

[sales@etapii.com](mailto:sales@etapii.com)

tel 978.532.1330

## Martech Controls

[www.martechcontrols.com](http://www.martechcontrols.com)

[sales@martechcontrols.com](mailto:sales@martechcontrols.com)

tel: 315.876.9120