

DM Series Desiccant-Membrane Dryer

Compact Dryer Provides Moisture Protection For Portable Applications

Perma Pure DM Series desiccant-membrane dryers are ideal for applications requiring portability. No power or purge gases are required, yet the compact-sized dryer removes water vapor from a flowing gas stream for hours, leaving other components in the gas unaffected. The dryer can be reused repeatedly and can be recharged in moments by replacing its desiccant.

Key Features

- Removes only water vapor
- Continuous drying
- Low sample dew point
- No utilities needed
- Fast response time
- Rugged construction
- Excellent corrosion resistance
- Lightweight and portable

Principle of Operation

Perma Pure's DM Series gas dryers combine the selectivity of Nafion™ with the simplicity of desiccant canister dryers. Gas sample flowing through the dryer contacts only Nafion™ tubing, which very selectively absorbs water vapor from the gas while quantitatively retaining the remaining sample components in the gas stream. Typically water passing through the Nafion™ tubing wall is carried away by a dry purge gas; in the DM Series dryers, desiccant packed around the tubing absorbs the water.



The sample gas flows through a 24-inch strand of Nafion™ tubing with polypropylene monofilament braiding for protection. Water passing through the tubing wall is absorbed by a molecular sieve desiccant. Scattered crystals of indicating desiccant can be observed through the clear window to monitor the condition of the desiccant. The impact-resistant molded plastic case contains a snap-lock door for easy removal and replacement of desiccant. Luer and barb gas connections are standard. Other fittings are available on request.

Model	DM-060-24	DM-110-24
Flow Rate	Up to 500 mL/min.	Up to 1 L/min.
Drying Efficiency	Down to -30°C dew point	Down to -30°C dew point
Housing	Molded ABS, 4.2" x 2.4" x 1.0"	Molded ABS, 5.0" x 2.75" x 1.5"
Desiccant	4 Å molecular sieve	

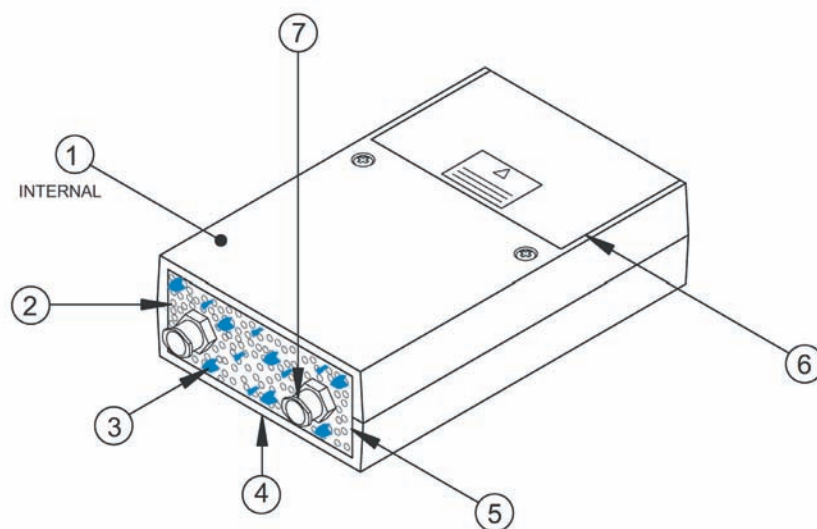


Figure #	Description
1	24" Nafion™ tube dryer
2	Molecular sieve desiccant
3	Scattered crystals of indicating desiccant
4	Clear window
5	Molded ABS plastic case
6	Snap lock door
7	Gas connection fittings (Luers shown)

Sample Fittings

Both the DM-060 and DM-110 are supplied with the following fittings:

- Female luer fittings, mounted to the enclosure
- 1/8" barb adapter

An optional 1/8" tube compression fitting is available using part numbers DM-060-24-COMP-2 or DM-110-24-COMP-2

Model	DM-060-24	DM-110-24
Replacement Dryer	ME-060-24BB	ME-110-24BB
Replacement Desiccant	DM-AR	DM-AR
Desiccant	2.5 oz.	5.5 oz.
Housing	4.2" x 2.4" x 1.0"	5.0" x 2.75" x 1.5"
Dryer Tube Inner Diameter	0.052"	0.086"
Drying Per Charge	72 liters per desiccant refill	150 liters per desiccant refill

ETA Process Instrumentation
www.etapii.com
sales@etapii.com
 tel 978.532.1330

Martech Controls
www.martechcontrols.com
sales@martechcontrols.com
 tel: 315.876.9120