

# E2xL15F PA Loudspeakers 15W

The hazardous area E2xL15F PA loudspeaker is UL/cULs approved for Class I Div 2 and Class II Div 2 as well as IECEx and ATEX certified for Zone 2 and 22 applications.

The E2xL15F is available with either a 70V or 100V line transformer or as a low impedance loudspeaker.

The E2x range features enclosures manufactured from lightweight, corrosion proof PPS and high impact, fire retardant ABS re-entrant flare horns; both of which are suitable for the harshest of environments.

## Features

- Very large termination area.
- Ratchet adjustable stainless steel 'U' bracket.
- Transformer type fitted with thermal fuse
- Complies with BS5839 part 8 \*

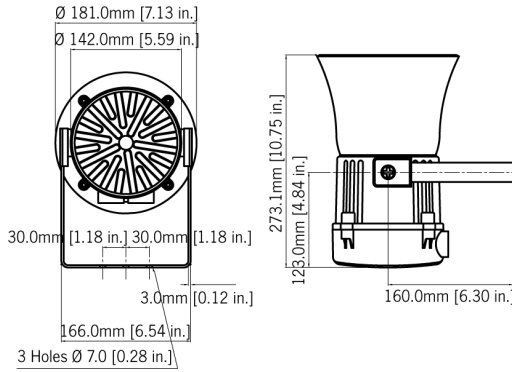
## Approvals

- ATEX certificate: DEMKO 06 ATEX 0421554X
- IECEx certificate: IECEx ULD 14.0012X
- UL/cUL File ref: E230764
- CSFM listing: 7136-2279:0505

## Coding

- IECEx / ATEX:
  - II 3G Ex nA IIC T4 Gc Ta -20°C to +55°C
  - II 3D Ex tc IIIC T85°C Dc Ta -20°C to +55°C
- NEC Class / Zone ratings US:
  - Class I Zone 2 AEx nA IIC T4 Gc Ta -20°C to +55°C
  - Zone 22 AEx tc IIIC T85°C Dc Ta -20°C to +55°C
- CEC Class / Zone ratings Canada
  - Ex nA IIC T2 Gc Ta -20°C to +55°C
  - Ex tc IIIC 85°C Dc Ta -20°C to +55°C
- NEC & CEC Class / Division Ratings for US / Canada
  - Class I, Div 2, ABCD T3C Ta -20°C to +55°C
  - Class I, Div 2, ABCD T4 Ta -20°C to +40°C
  - Class II, Div 2, FG T6 Ta -20°C to +55°C
  - Class II, Div 2, FG T6 Ta -20°C to +55°C





### Specification

SPL:	108dB +/-3dB @ 1w @ 1m (Pink noise) 118dB +/-3dB @ 15w @ 1m (Rated)
Rated power:	15 Watts RMS
70v line tapings:	15w / 7.5w / 3w / 1w (z=336.67 Ohms / 653.33 Ohms / 1.6k Ohms / 4.9k Ohms)
100v line tapings:	15w / 7.5w / 3w / 1w (z=666.87 Ohms / 1.34k Ohms / 3.34k Ohms / 10k Ohms)
Low impedance:	8 Ohm (I/P: 10.95V) -or 16 Ohm (I/P: 15.49V)
Dispersion:	120° @ 1kHz & 32° @ 4kHz
Frequency range:	400Hz to 8000 Hz
DC Line monitoring:	2.2µF Capacitor (Transformer version)
Ingress protection:	IP rating per EN60079-0:IP64 IP rating per EN60529:IP66 Type rating per UL50E/NEMA250:4/4X/13
Enclosure material:	UL94V0 PPS & ABS
Cable entries:	Dual M20x1.5 or 1/2"NPT
Terminals:	0.5 - 2.5mm <sup>2</sup> (20-14 AWG)
Operating temp:	-20 to +55°C [-4° to +131°F]
Storage temp:	-40 to +70°C [-40° to +158°F]
Relative humidity:	90% at 20°C [68°F]
Weight:	Low impedance: 2.5kg/5.5lbs -Transformer: 3.00kg/6.6lbs

\*SPL data +/-3dB(A). Measured at optimum voltage.

### Part Codes

Part Code:	Ident.:	Description:
Product type:	E2xL15	
Horn type:	F	Flare Horn
Type:	V100	100V Line
	V070	70V Line
	R008	8 Ohm Low impedance
	R016	16 Ohm Low impedance
Cable entries:	A	M20x1.5 & ½" NPT
	B	M20x1.5 & M20x1.5
	C	½" NPT & ½" NPT
Stopping plug material:	N	Nylon
Bracket:	1	304 (A2) Stainless Steel
	2	316 (A4) Stainless Steel
Approvals:	A1	UL, cULs, IECEx & ATEX
Enclosure:	B	Black
e.g. E2xL15FV100AN1A1B	E2xL15 PA Loudspeaker with flare horn. 100V line transformer with one M20 cable entry and one 1/2"NPT entry. Approved to IECEx, ATEX & UL. Black enclosure.	

New England - ETA Process Instrumentation

119 Foster Street, Bldg #6

Peabody, MA 01960

Tel: (978) 532-1330

www.etapii.com

sales@etapii.com

Upstate NY - Martech Controls

2000 Teall Avenue

Syracuse, NY 13026

Tel: (315) 876-9120

www.martechcontrols.com

sales@martechcontrols.com

9 Jul 2018