

GNExCP6B-PB Push Button

Manual Call Point with EOL & series devices.

The GNExCP6B manual call points are available as break glass, push button or tool reset versions. They are approved for Zone 1, 2, 21 and 22 hazardous areas for the control of fire and gas alarm systems.

All types are available with EOL or series resistors, diode or Zener diodes or an LED indicator and also with either single or double pole change over switches. All versions are certified to ATEX and IECEx standards..

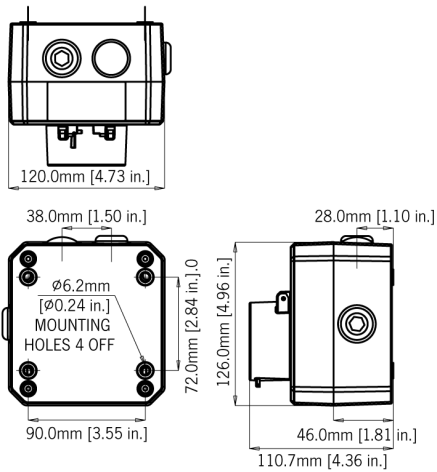
Options

- Alternative housing colours are available to meet specific requirements.
- Single or double pole c/o switch.
- DIN rail mounted terminal blocks: 8 x 2.5mm².
- Metalised polyester or stainless steel "Duty" label.
- Series and/or End of Line resistors, diodes & Zener diodes
- Indicator LED.

Approvals

- ATEX certificate: Sira 09ATEX3286X,
IEC 60079-0:2007 Ed 5, EN 60079-1:2004,
EN 60079-7:2007, IEC 60079-18:2009 Ed 3,
EN 61241-1:2004
- IECEx certificate: IECEx SIR 09.012 1X,
IEC 60079-0:2007-10 Edition: 5,
IEC 60079-1:2003 Edition: 5,
IEC 60079-18:2009 Edition: 3,
IEC 60079-7:2006-07 Edition: 4,
IEC 61241-1:2004 Edition: 1
- SIL 2 certified to IEC 61508 (2010)





Specification

GNEXP6B:	II 2G Ex d e mb IIC T4 Gb II 2D Ex t IIIC T80°C Db IP66
Ambient:	Ta = -40°C to +50°C/+55°C [-40° to +122°F/+131°F]
Ingress protection:	IP66
Housing material:	GRP - glass reinforced polyester (UV stable)
Colour:	RAL3000 Red (others available on request)
Cable entries:	2 x M20 clearance top and 1 x M20 clearance side. Back box can be rotated to give 2 x bottom and 1 x side entries.
Stopping plugs:	2 x Ex e nylon plugs as standard Brass and stainless steel plugs optional
Terminals:	6 x 4.0mm ² / 8 x 2.5mm ²
Weight:	1.3Kg/2.86lbs
Note:	For applications that do not require monitoring resistors, diodes or indicator LED's please see the GNEXP6A-PB version. Data sheet reference: 1.3.05.

The GNEXP6B call point can contain a maximum of two resistor or diode E.O.L. or series modules. The LED indicator can be combined with an EOL resistor or diode.

Part Code Structure

Example:	GNEXP6B-PB[s][m][t][d][x][V][Exxx][Sxxx] GNEXP6B-PB-S-N-S-N-RD-2 4-E470R-S10KR
----------	---

Part Codes

Version:	Part code:
Product type:	GNEXP6B-PB B type - choice of end of line devices GNEXP6C-PB C type - with +55C certified temperature
Switch Type: [s]	S SPCO D DPCO
Stopping plug material: [m]	N Nylon B Brass P Nickel Plated S Stainless Steel
Terminals: [t]	S Standard 6 x 4mm ² D DIN Rail 8 x 2.5mm ²
Duty label [d]:	N No duty label P Metalised Polyester S Stainless Steel
Enclosure colour: [x]	RD, BL, GN, YWRed, Blue, Green, Yellow RW, YB, BK Red/White, Yellow/Black, Black
Voltage: [v]	48, 24 48V, 24V, 12V, 6V 12, 06 System voltage
E.O.L.Module: [Exxx]	ExxxR Resistor value in Ohms e.g. E470R = 470 Ohm ED1 Diode IN4007 = ED1 ExxxZ Zener diode e.g. E5V1Z = 5.1V
Series Module: [Sxxx]	SxxxR Resistor value in Ohms e.g. S1K5R = 1.5K Ohm SD1 Diode IN4007 = SD1 SxxxZ Zener diode e.g. S5V1Z = 5.1V LED LED = LED indicator

Versions

Resistors:	Max./Nominal Voltage:	Min. Resistor Value:	Max. Current (if resistor is EOL only):	Zener Diodes:		Diodes:	
				Zener Voltage: Volt.:	Max. Input Current:	Max. Voltage:	Max. Current:
56V / 48V	1K8	0.75A	3.3V	56V dc	230mA	<56V dc	0.75A
28V / 24V	470R	1.00A	4.7V	56V dc	162mA	<50V dc	1.00A
15V / 12V	120R	1.00A	5.1V	56V dc	149mA		
9V / 6V	47R	1.00A	5.6V	56V dc	136mA		
			6.2V	56V dc	122mA		
			6.8V	56V dc	112mA		
			10V	56V dc	76mA		
			12V	56V dc	63mA		

If resistor is used in Series the Max. Current is not applicable.

New England - ETA Process Instrumentation

119 Foster Street, Bldg #6
Peabody, MA 01960
Tel: (978) 532-1330
www.etapii.com
sales@etapii.com

Upstate NY - Martech Controls

2000 Teall Avenue
Syracuse, NY 13026
Tel: (315) 876-9120
www.martechcontrols.com
sales@martechcontrols.com

8 Feb 2018