

STExL2F PA Loudspeakers 25W

The STExL2F is a high output, 119dB(A) PA loudspeaker with a re-entrant flare horn. The high output driver in a robust IP66 corrosion proof 316L stainless steel enclosure ensure the STExL2F is suitable for all Zone 1, 2, 21 & 22 explosion proof applications.

Available with 70 or 100V line transformer or as low impedance versions, all models have triple cable entries, and large termination areas. The termination chamber and cover feature a threaded flameproof joint simplifying both installation and routine maintenance.

Features

- Robust corrosion proof 316L stainless steel enclosure
- High output, up to 119dB(A) @ 25W
- Low impedance or line transformer versions
- Continuously rated
- Compact form factor
- Stainless steel fixings
- Ratchet adjustable 316 stainless steel bracket
- 316 Stainless steel stopping plugs included
- 3 x cable entries

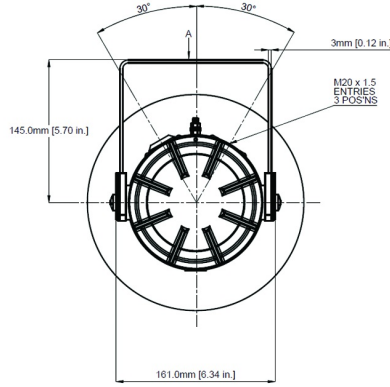
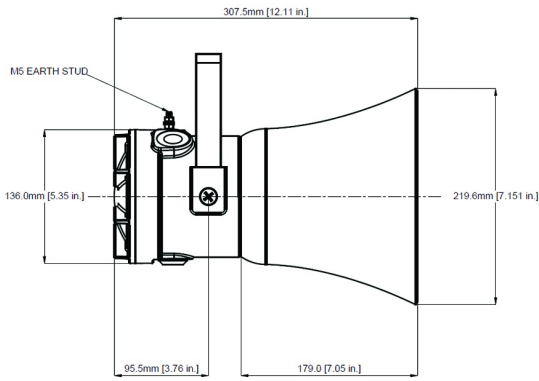
Approvals

- IECEx ULD 16.0017X
IEC 60079-0 : 2011
IEC 60079-1 : 2014
IEC 60079-31 : 2013
- ATEX DEMKO 16 ATEX 1466X
EN 60079-0 : 2012 + A11 : 2013
EN 60079-1 : 2014
EN 60079-31 : 2014
- TR-CU Ex EAC certificate: RU C-GB.AA71.B.00109

Coding

- Ex db IIC Gb T6 Ta -50°C to +45°C
- Ex db IIC Gb T5 Ta -50°C to +60°C
- Ex db IIC Gb T4 Ta -50°C to +70°C
- Ex tb IIIC Db T105°C Ta -50°C to +70°C





Specification

SPL:	105dB +/-3dB @ 1w @ 1m (Pink) 119dB +/-3dB @ 25w @ 1m (Rated)
Rated power:	25 Watts RMS
70v line tapings:	25w / 12.5w / 6w / 2w tapings (z=196 Ohms /392 Ohms / 816.67 Ohms / 2.45k Ohms)
100v line tapings:	25w / 12.5w / 6w / 2w tapings (z=400 Ohms /800 Ohms / 1.67k Ohms / 5k Ohms)
Low impedance:	8 Ohm or 16 Ohm
Dispersion:	130° @ 1kHz & 32° @ 4kHz
Frequency range:	300Hz to 8000 Hz
DC Line monitoring:	2.2µF Capacitor (Transformer) 470µF Capacitor (Impedance)
Ingress protection:	EN60529: IP66
Enclosure material:	316L Stainless Steel
Enclosure finish:	Chromated & powder coated
Colour:	Red (RAL3000)
Cable entries:	3 x M20 x 1.5mm
Terminals:	0.5 - 2.5mm ² (20-14 AWG)
Enclosure volume:	<2 litres
Grounding stud:	M5
Operating temp:	-50 to +70°C [-58° to +158°F]
Relative humidity:	95% - Additional tropicalisation is recommended for applications where both high relative humidity and high ambient temperatures exist
Weight:	6.25kg/13.75lbs

Part Codes

Version:	Part code:
Product type:	STExL2
Horn type:	F Flare reentrant horn
Type:	V100 100V Line Transformer V070 70V Line Transformer R008 8 Ohm Low impedance R016 16 Ohm Low impedance
Cable Entry Type:[e] A	3 x M20x1.5mm
B	2 x 1/2" NPT - adaptors
C	2 x 3/4" NPT - adaptors
D	2 x M25x1.5mm - adaptors
E	1 x 1/2" NPT - adaptor
F	1 x 3/4" NPT - adaptor
G	1 x M25x1.5mm - adaptor
Note:	M20 stopping plugs for unused entries supplied with all options
Adaptor/Stopping plug material: [m]	B Brass N Nickel Plated S Stainless Steel (standard)
Bracket material: [s]	1 A2 304 Stainless Steel 2 A4 316 Stainless Steel (default) 3 A2 304 St/St with Equip. Tag 4 A4 316 St/St with Equip. Tag (304)
Product version: [v]	A1 IECEx & ATEX Group II 2G/D Zone 1, 2, 21 & 22
Enclosure colour: [x]	R Red RAL3000