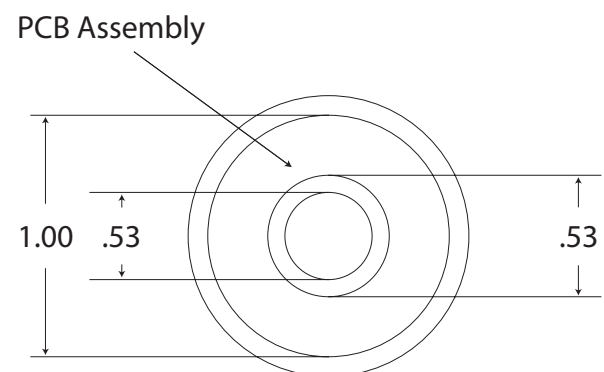
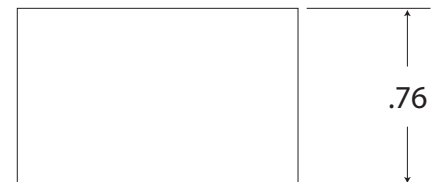
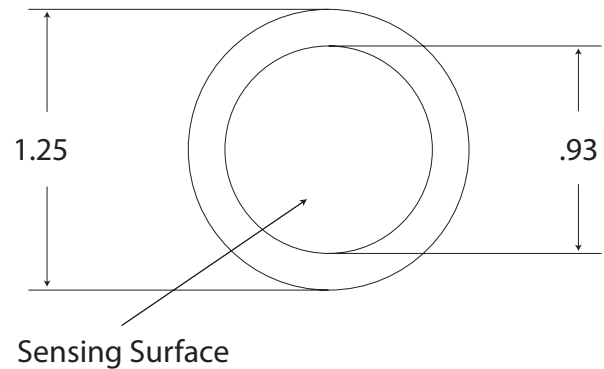


# PO2-15 Percent Oxygen Sensor



## Specifications:

|                                  |   |
|----------------------------------|---|
| Sensor Technology                | Micro Fuel Cell                             |
| Signal Output <sup>1</sup>       | 78 - 122 uA                                 |
| Measuring Range                  | 0 - 100 Percent                             |
| Response Time T90                | 13 Seconds                                  |
| Accuracy Full Scale <sup>2</sup> | ± 1% of Signal                              |
| Repeatability F.S.               | ± 0.5%                                      |
| Temp Coefficient                 | 2.54 % / °C                                 |
| Operating Temp                   | 0 to 50 °C                                  |
| Storage Temp                     | 0 to 45 °C                                  |
| Recommended Flow                 | 0.5 - 2 SCFH                                |
| Humidity                         | 0 - 100% RH<br>(Non-Condensing)             |
| Expected Life <sup>3</sup>       | 34 - 38 Months                              |
| Storage                          | 6 Months                                    |
| Warranty <sup>4</sup>            | 12 Months                                   |
| PCB Connection                   | Center Foil Negative<br>Outer Foil Positive |

1. Signal output is measured in air at 25 °C, sea level.
2. Accuracy full scale is calculated with constant pressure and temperature & proper calibration (90% O<sub>2</sub> value on full scale range). Drastic temperature change can result in a maximum error of ± 10%.
3. Expected life is calculated when O<sub>2</sub> is 20.9% @ 25 °C, sea level.
4. Southland Sensing warrants these sensors for the period noted above to be free from defects in materials and workmanship. Southland Sensing will not be held liable for sensors damaged due to customer neglect.

## Direct Replacement Guide

Analytical Industries: PSR-11-25  
 Teledyne: B-5

## New England - ETA Process Instrumentation

119 Foster Street, Bldg #6  
 Peabody, MA 01960  
 Tel: (978) 532-1330  
 www.etapii.com  
 sales@etapii.com

## Upstate NY - Martech Controls

2000 Teall Avenue  
 Syracuse, NY 13026  
 Tel: (315) 876-9120  
 www.martechcontrols.com  
 sales@martechcontrols.com